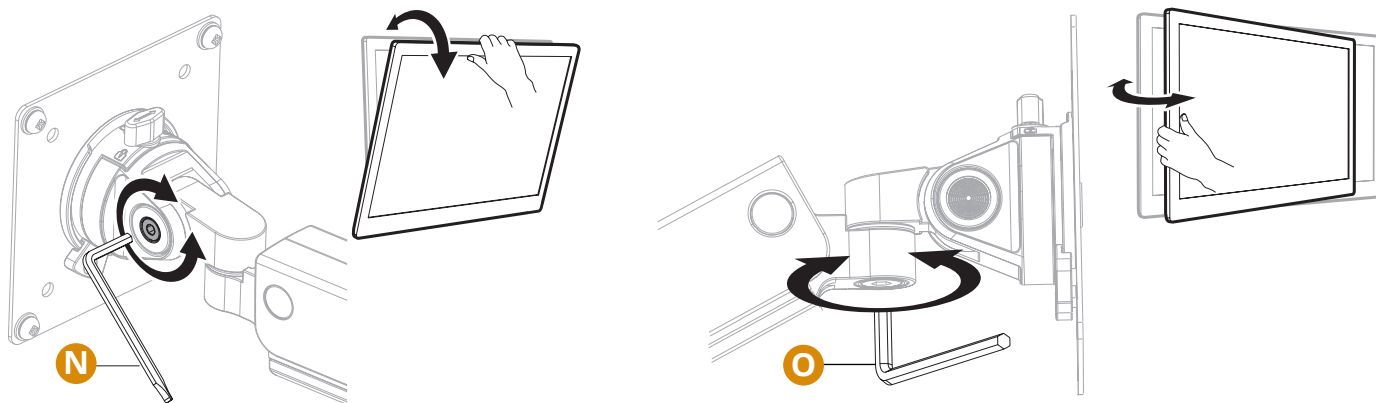


Adjusting the tilt & swivel

If your monitor feels light or stiff when tilting the monitor backwards or forwards it may need adjusting. Using the **4mm Allen key N** turn the bolt clockwise to tighten or anti clockwise to loosen. Make small adjustments until the monitor can hold without falling forward.

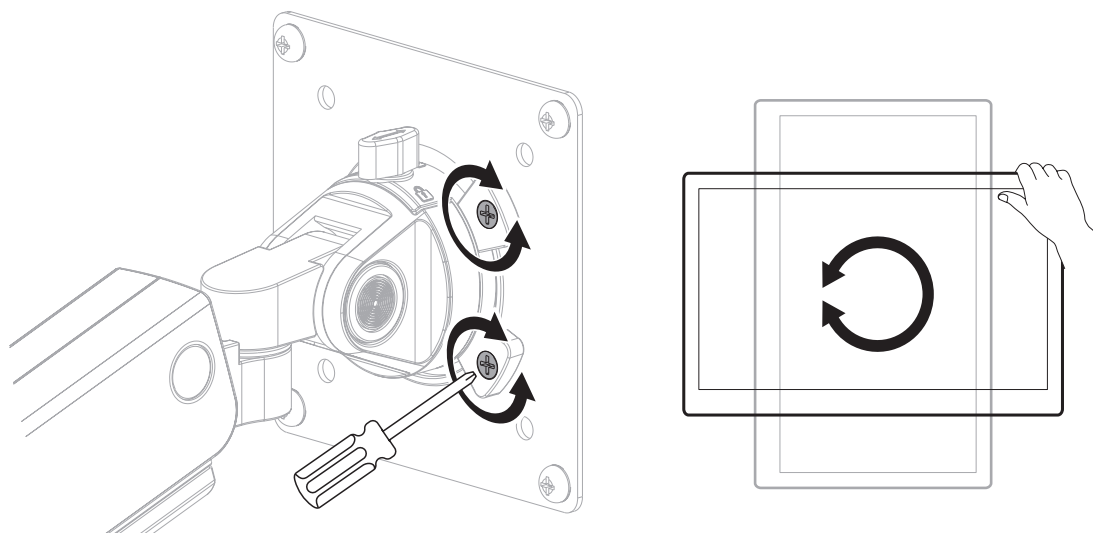


Swivel adjustment is factory set, however this can be adjusted using the **5mm Allen key O** if required. turn the bolt clockwise to tighten or anti clockwise to loosen. Make small adjustments until the monitor is comfortable to move without feeling too loose.

Rotational features

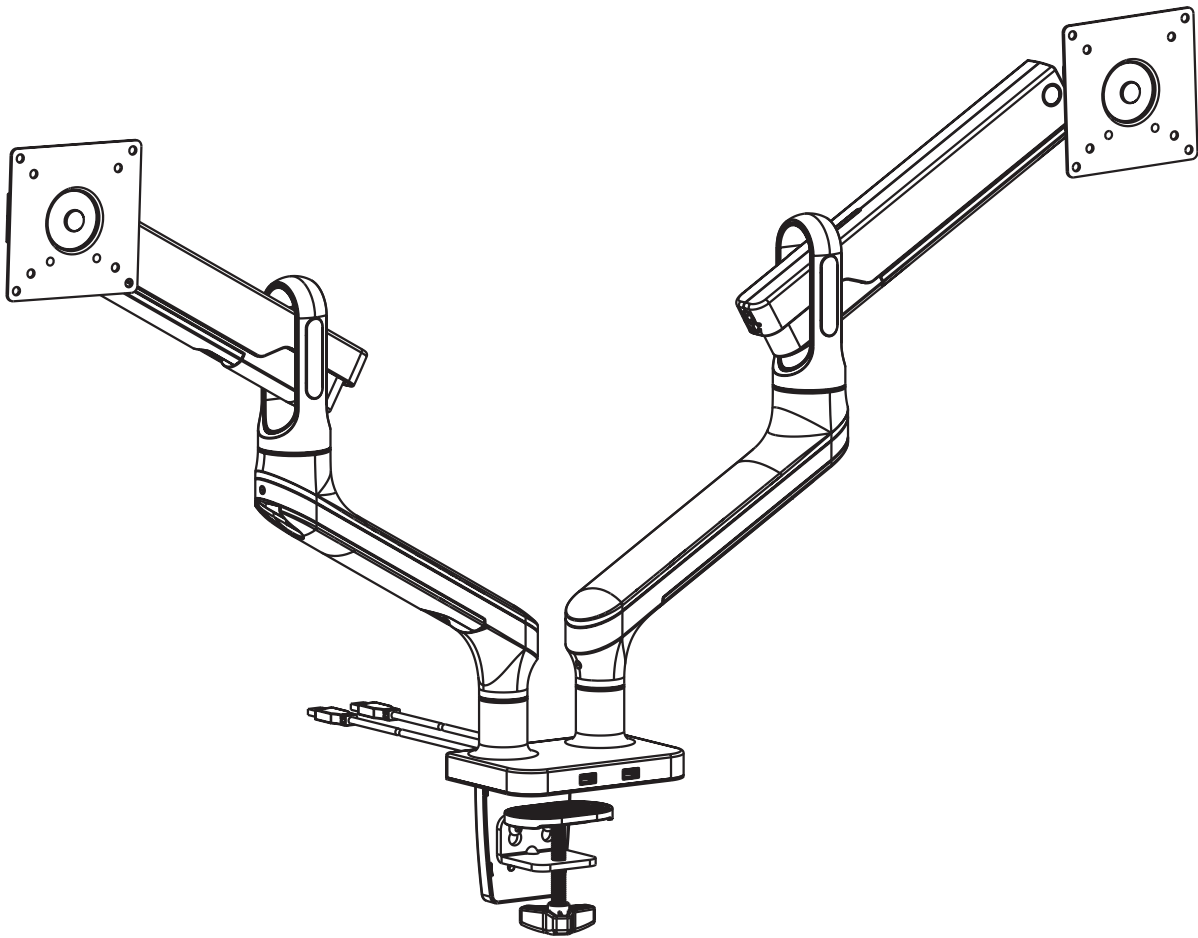
Your monitor arm allows you to rotate your screen fully through 360° to view in portrait or landscape mode providing the VESA mount on your screen is central. If you want to lock the screen in one direction then tighten the screws on the back of the VESA mounting plate to secure.

Please note: Beware of trapping or breaking cables when rotating your monitor. Do not rotate more than 90° in one position to prevent this.





SAPIEN



MA-002 Dual Monitor Arm Assembly Guide

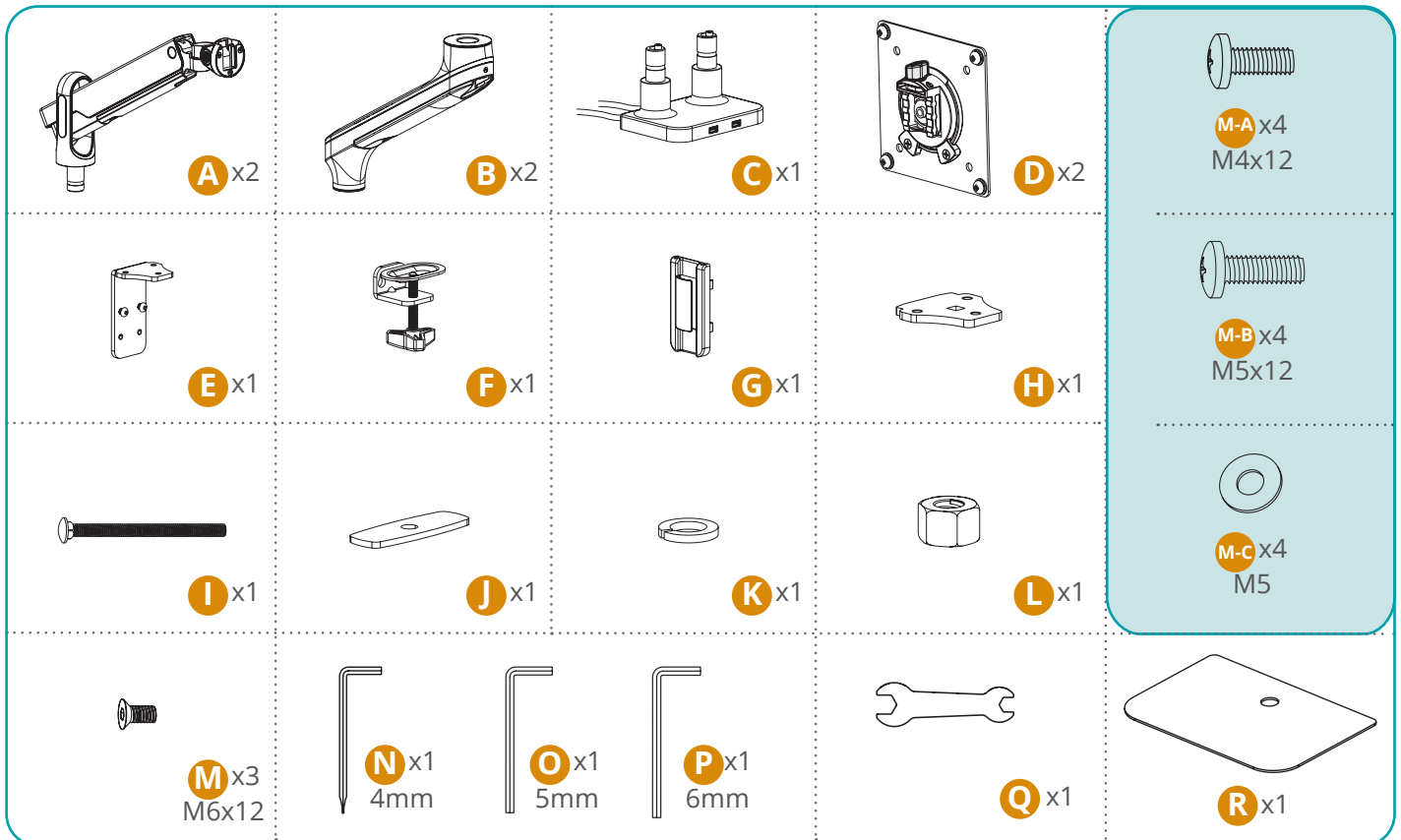
Before you start

Please read and completely understand this instruction manual before starting installation and assembly in order to make sure the safe and correct use of the system and maintain the longevity of the overall construction.

Safety & Warnings

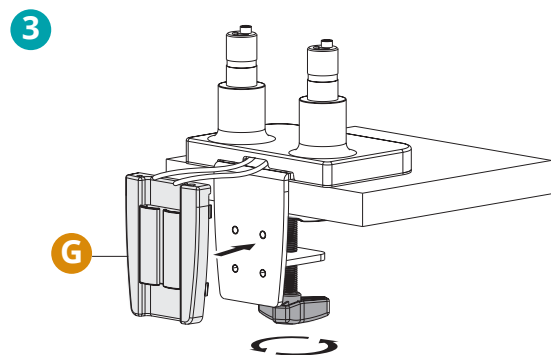
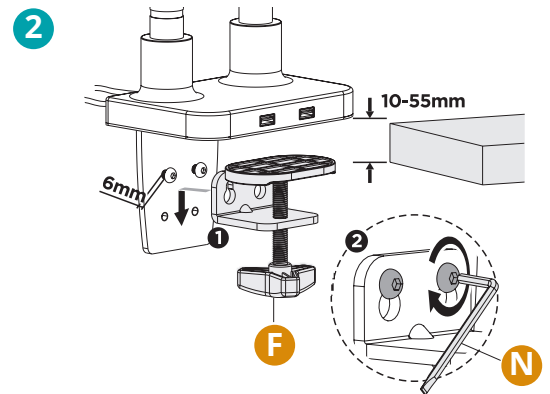
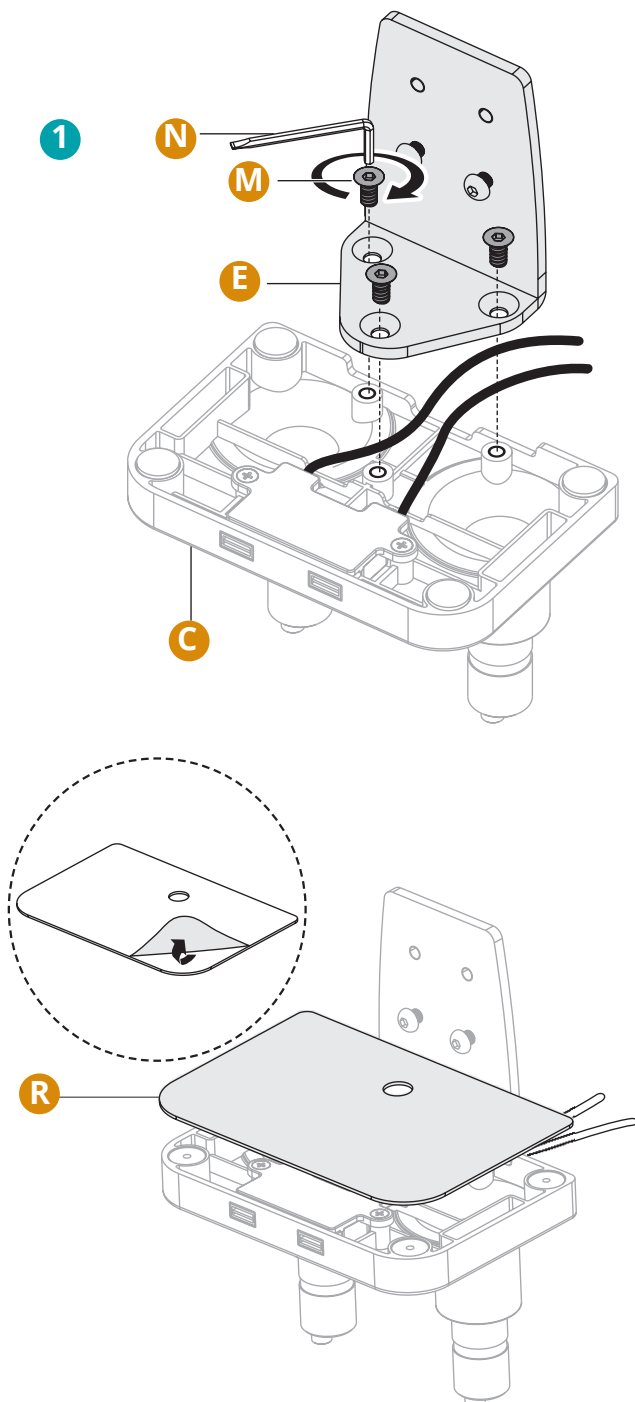
- Using with products heavier than the rated weights indicated may result in instability causing possible injury
- Please closely follow the assembly instructions. Improper installation may result in damage or serious personal injury
- Safety gear and proper tools must be used.
- Make sure that the supporting surface will safely support the combined weight of the equipment and all attached hardware and components
- Use the mounting screws provided and **DO NOT OVER TIGHTEN** mounting screws.
- This product contains small items that could be a choking hazard if swallowed. Keep these items away from children.
- This product is intended for indoor use only. Using this product outdoors could lead to product failure and personal injury
- Ensure that you have received all parts according to the component checklist prior to installation. If any parts are missing or faulty contact your place of purchase for a replacement.
- Check that the product is secure and safe to use at regular intervals (at least every three months).

Checklist



Clamping to a desk

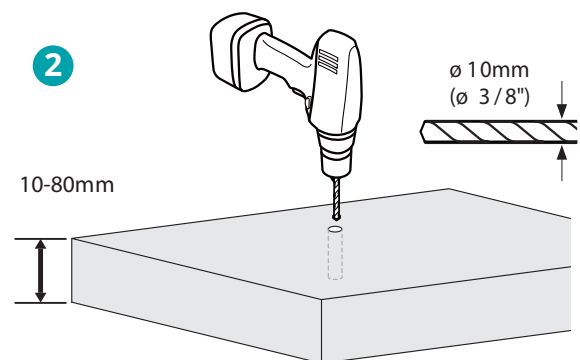
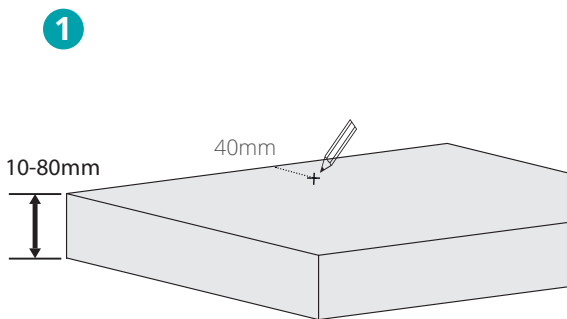
- 1 Attach clamp plate **E** onto monitor arm base **C** using screws **M** and 4mm Allen key **N** and tighten. Once installed add on protective mat **Q**.
- 2 Attach clamp section **F** using the keyhole slots **1** to fit over the preinstalled screws **2** on clamp plate **E** and tighten using 4mm Allen key **N**. For thicker desks you can move the preinstalled screws on the clamp plate to the lower screw holes for a larger range of adjustment when clamping to the desk.
- 3 Wind the knob out fully and add the monitor base assembly to the edge of the desktop making sure it is fully pushed up to the edge of the desktop and then tighten knob fully to secure. Add clamp plate cover **G** once installed.



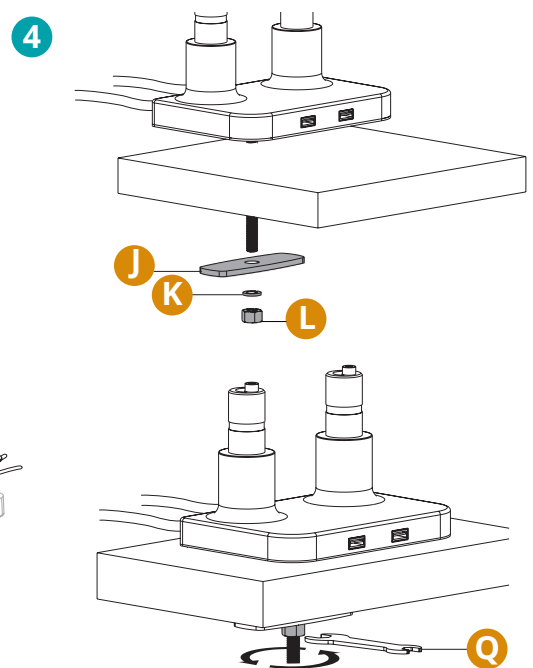
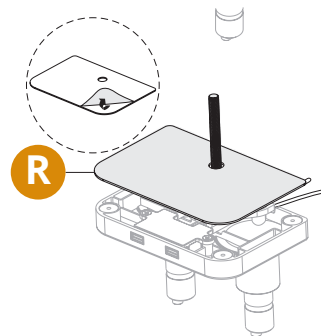
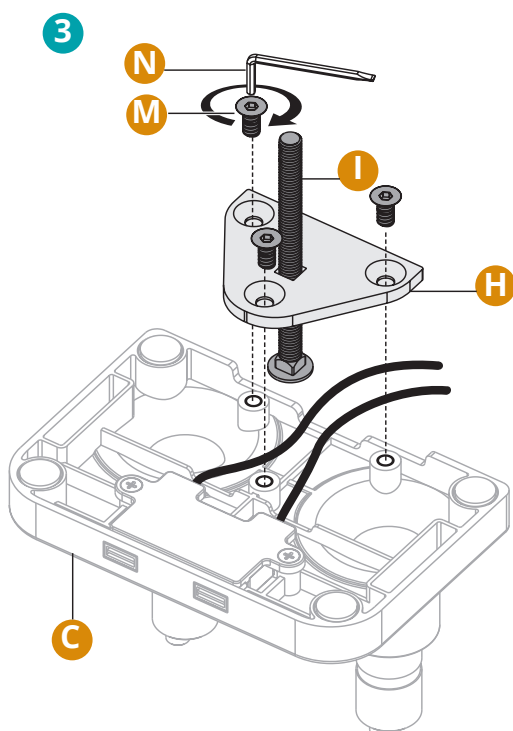
Attaching through a desk

- 1 Locate and position where you want the monitor arm base to sit on your desktop/work-surface. 40mm minimum is needed from the rear of the desk so the monitor arm base makes full contact with the desktop/work-surface. (some desktops may already have a pre drilled hole).
- 2 Measure and mark out with a pencil where you want the hole and drill the hole using a 10mm drill bit.

Please note: If you are mounting heavy screens on this monitor arm please evaluate what desktop/work-surface you are mounting it to. Example: Manufactured wooden surfaces like chipboard or MDF are compressed high density boards and are less likely to cause marks or indentations. Natural wooden surfaces are softer (not compressed) so you may consider adding protection.



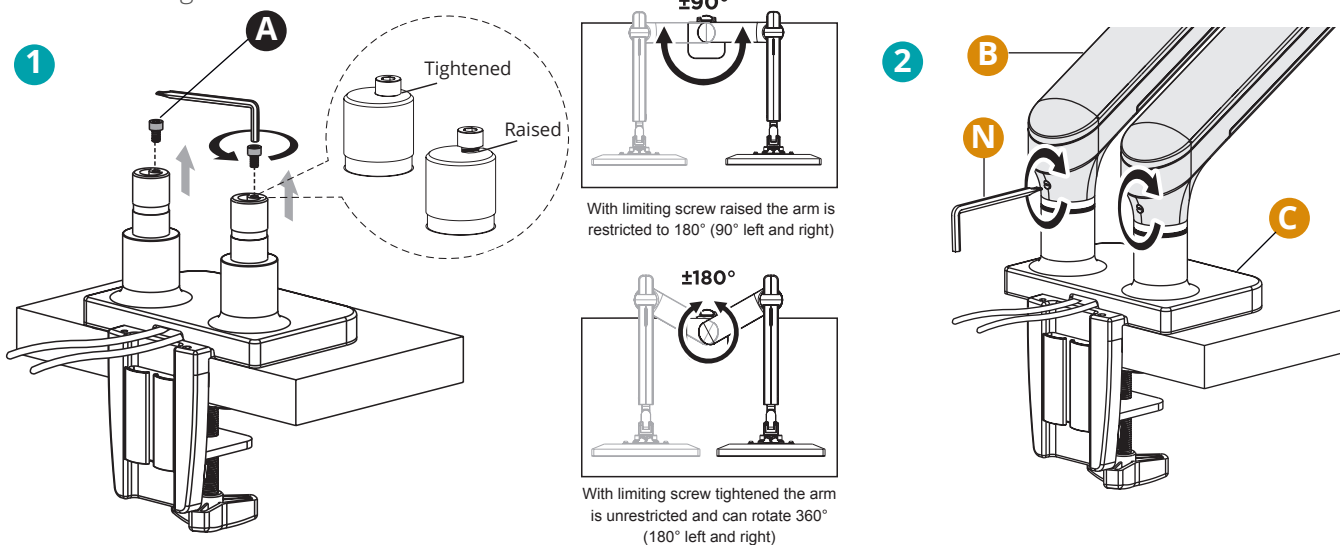
- 3 Pass the threaded bolt **I** through metal plate **H** and then secure to monitor arm base **C** with screws **M** and tighten with **N**.
- 4 Pass the threaded bolt **I** through the desk hole and add clamp plate **J**, washer **K** and nut **L** and tighten with **P**.



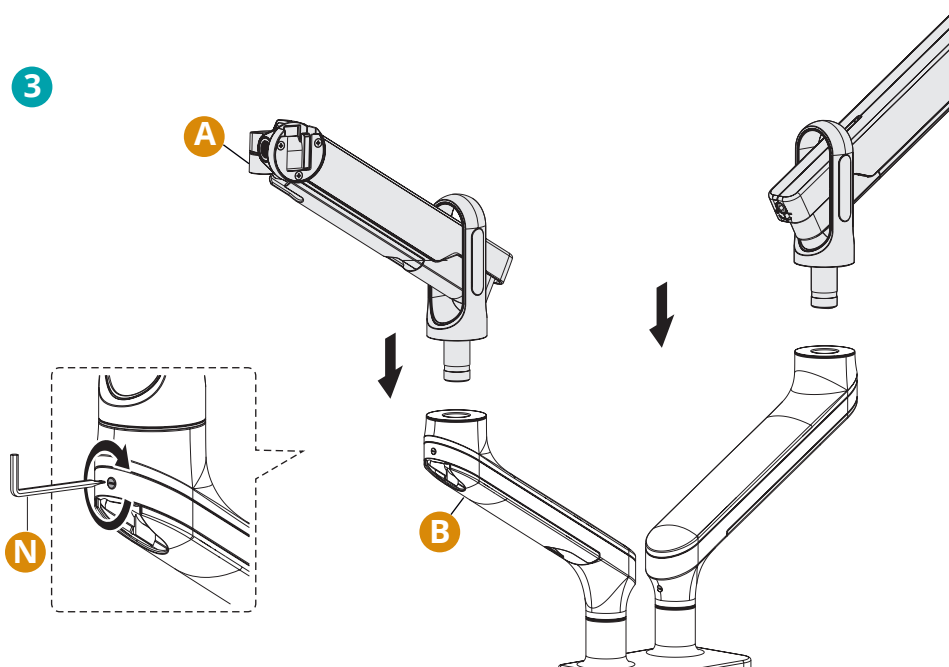
Monitor Arm Assembly

- 1 Before assembling the monitor arm set the limiting screws **A** to determine how far the lower arm can rotate.
- 2 Take the lower arm **B** and slot the female connector onto the male connection on the monitor base **C** making sure it is fully inserted (please ensure you have this the correct way up). Use the 4mm Allen key **N** and tighten the grub screw with the flat screwdriver end to lock the lower arm in place. Do not over tighten as this will hinder the rotation ability of the arm.

Limiting screw prevents arm from rotating backwards. Tighten for full rotation.

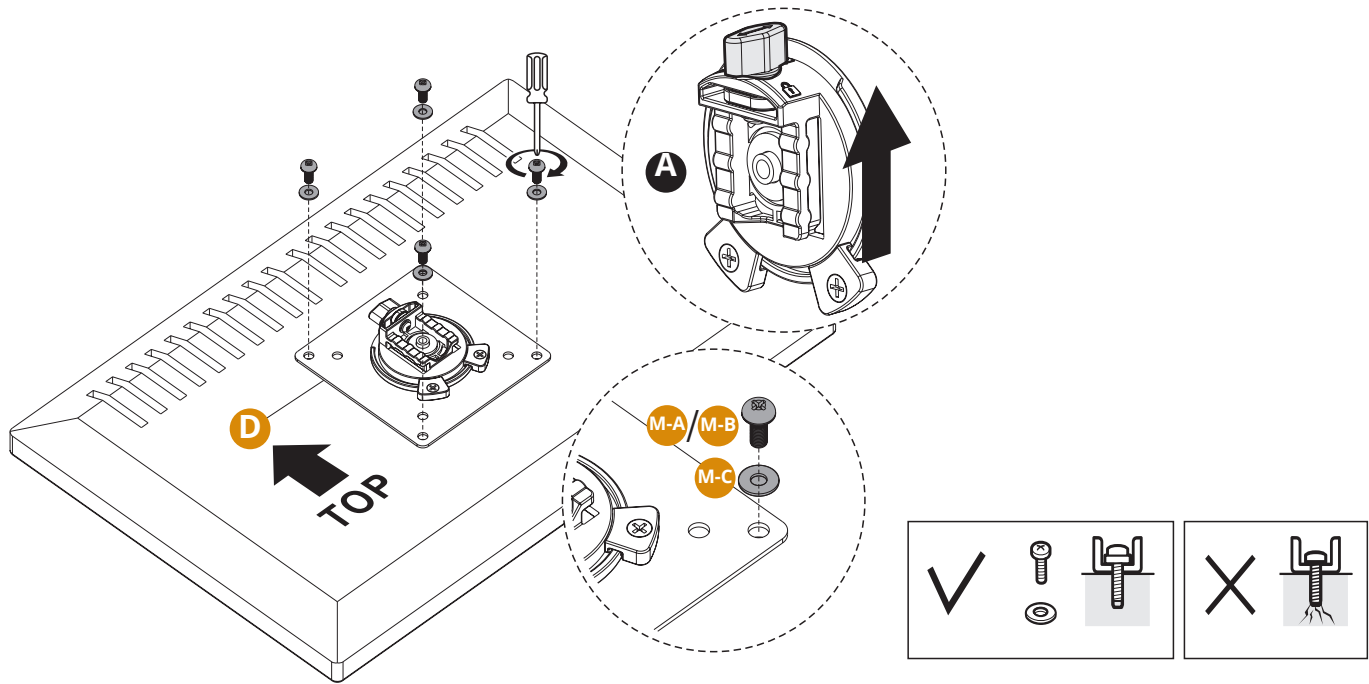


- 3 Take the upper arms **A** and slot the female connectors onto the male connections on the lower monitor arms **B** making sure they are fully inserted. Use the 4mm Allen key **N** and tighten the grub screw with the flat screwdriver end to lock the upper arms in place.



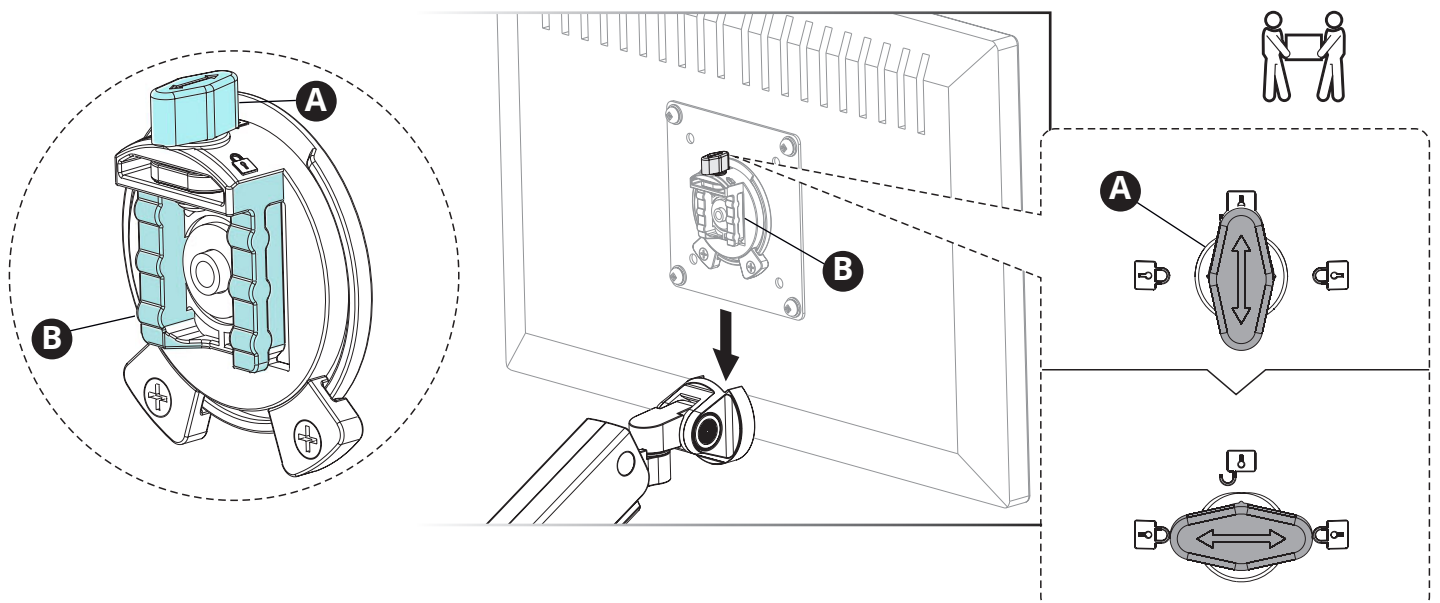
Attaching VESA mounting plate to monitor

Take VESA mounting plate **D** and align to the holes on the back of your monitor making sure the securing latch **A** is facing upwards. Use either screws **M-A** or **M-B** plus washers **M-C** to secure VESA mounting plate to the monitor



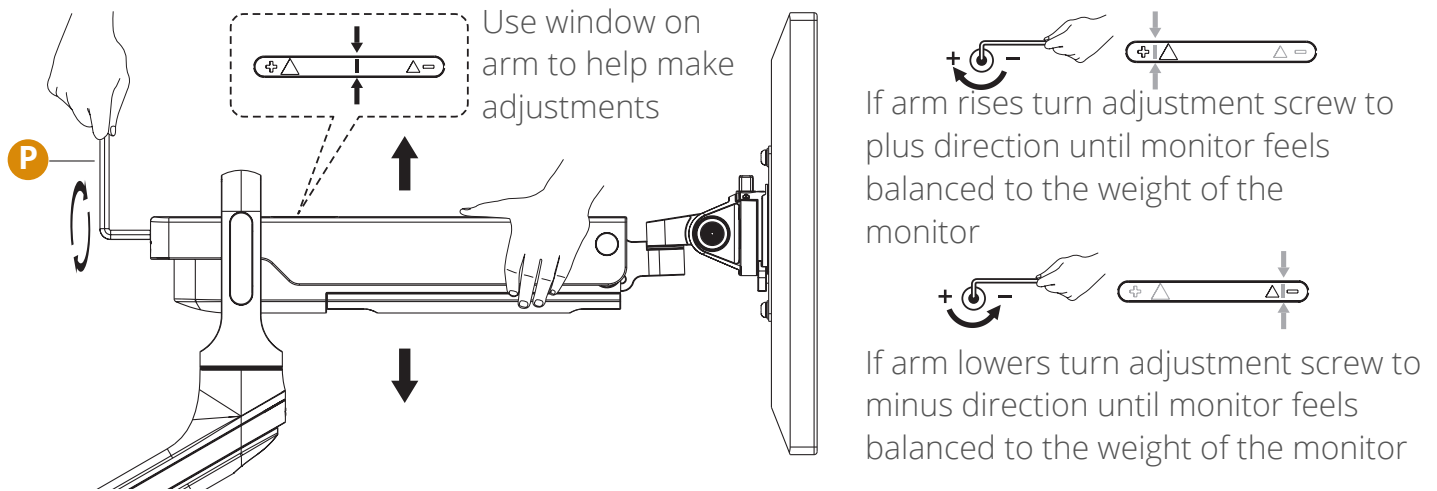
Mounting monitor to monitor arm

Take your monitor and slide the VESA mounting plate guides **B** down onto monitor arm interface. Once in place turn the securing latch **A** clockwise to secure the monitor to monitor arm.



Adjusting the tension of the monitor arm

To balance the weight of your monitor to the tension of the monitor arm use the 6mm Allen key **P** and follow the steps below.



Caution:
To prevent any damage to your monitor arm do not overtighten when fitting screws or making adjustments

Using cable management

To release the cable management trays from the monitor arms slide them upwards which will release the hooks. Add the cables to the top cable trays first and secure it back onto the arm by sliding the hooks back into the slots. Repeat same steps with lower cable trays. Once cables are fitted make sure there is enough slack so the monitor arms can move freely without stretching cables.

