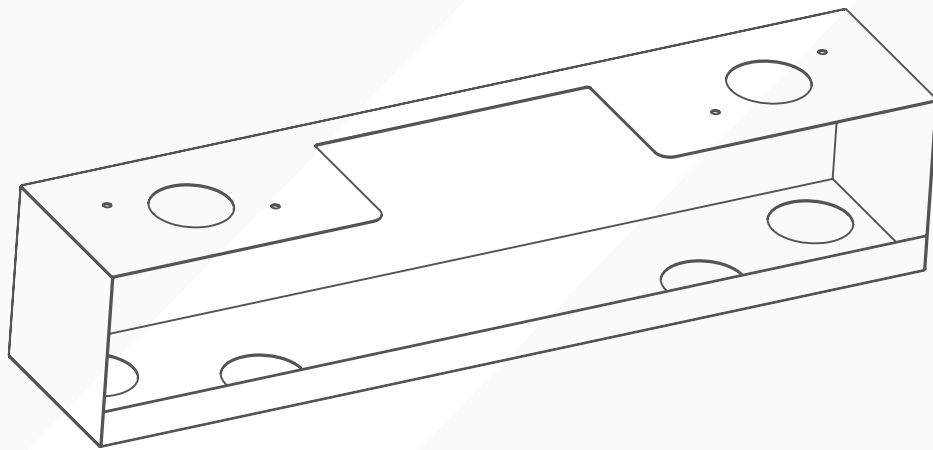


Standing Desk Extension Cable Housing Unit Installation Guide

User guide

SB01/SW02



SAPIEN

mysapien.co.uk

Before you start

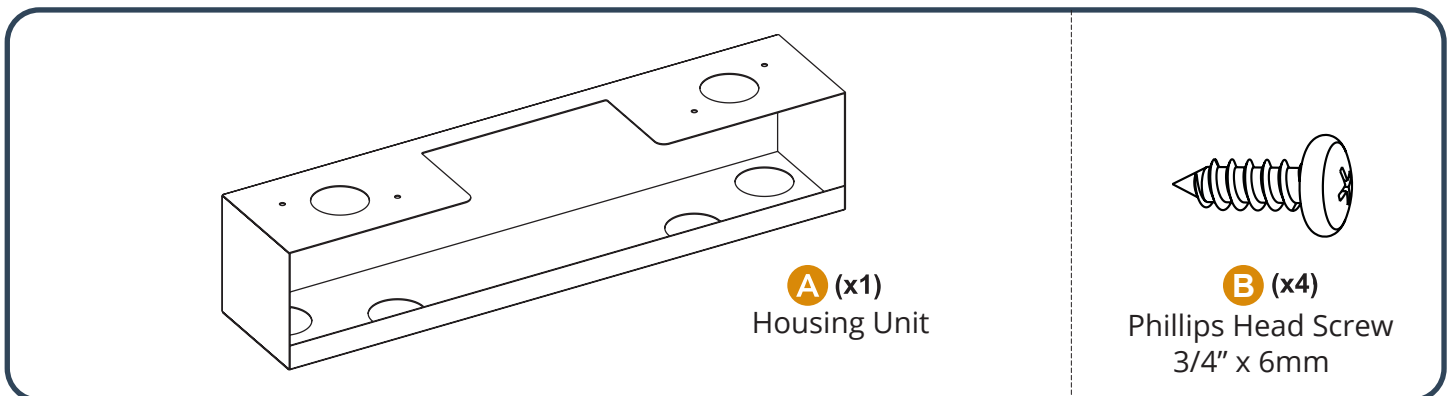
Please read the entire instruction manual before you start installation. If you have any questions regarding any of the instructions or warnings, please contact Sapien for assistance.

CAUTION: Please ensure the power is switched off before adding any electrical accessories within the housing unit.

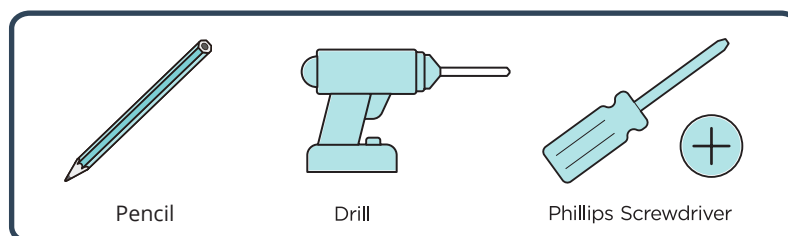
- Improper installation may result in damage or serious personal injury.
- Safety gear and specified tools must be used.
- Make sure the supporting surface will safely support the combined weight of the equipment and all attached hardware and components.
- Use the mounting screws provided and DO NOT OVER TIGHTEN mounting screws.
- This product contains small items that could be a choking hazard if swallowed. Keep these items away from children.
- This product is intended for indoor use only. Using this product outdoors could lead to product failure and personal injury.

IMPORTANT: Ensure that you have received all parts according to the component checklist prior to installation. If any parts are missing or faulty, please contact us and we will be happy to help.

Checklist



Additional Tools Required

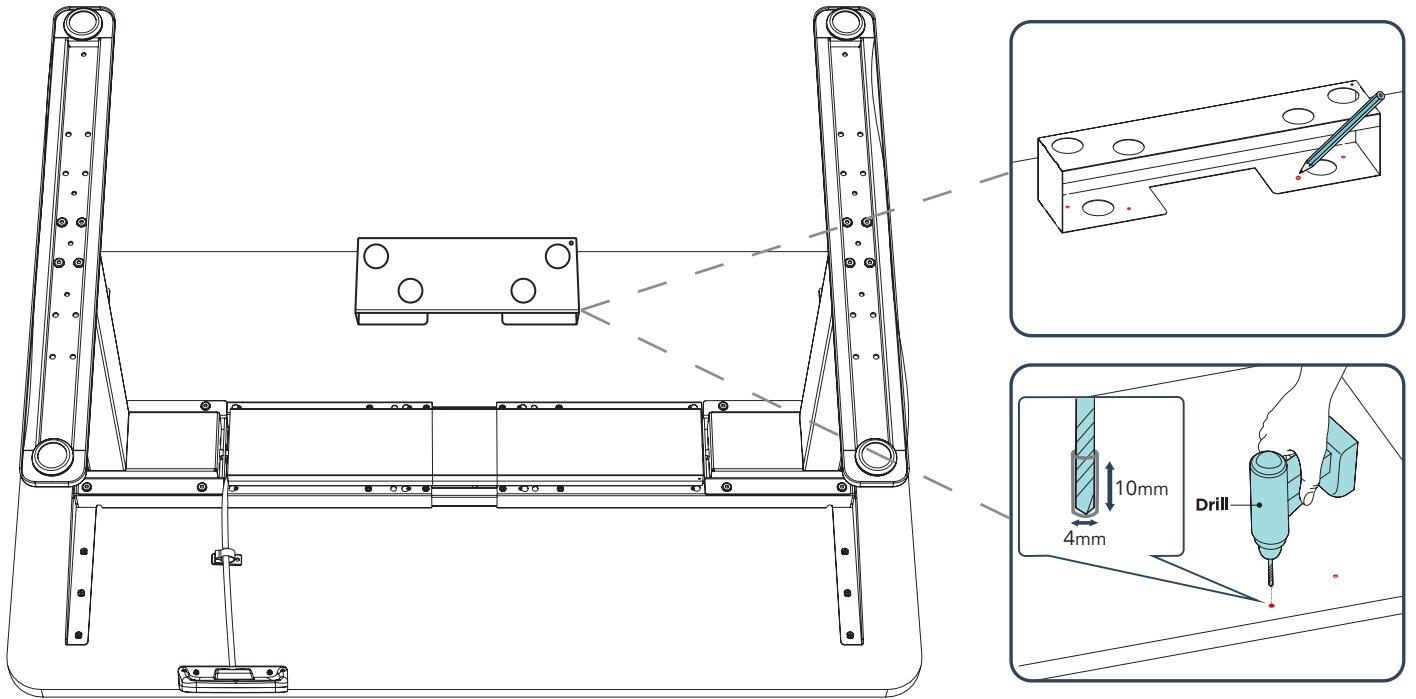


NOTICE

If you are mounting a monitor arm through the desk then mount the Housing Unit to the rear edge of the desk. If you are clamping a monitor arm then the Housing Unit should be mounted further forward to allow room for the clamp.

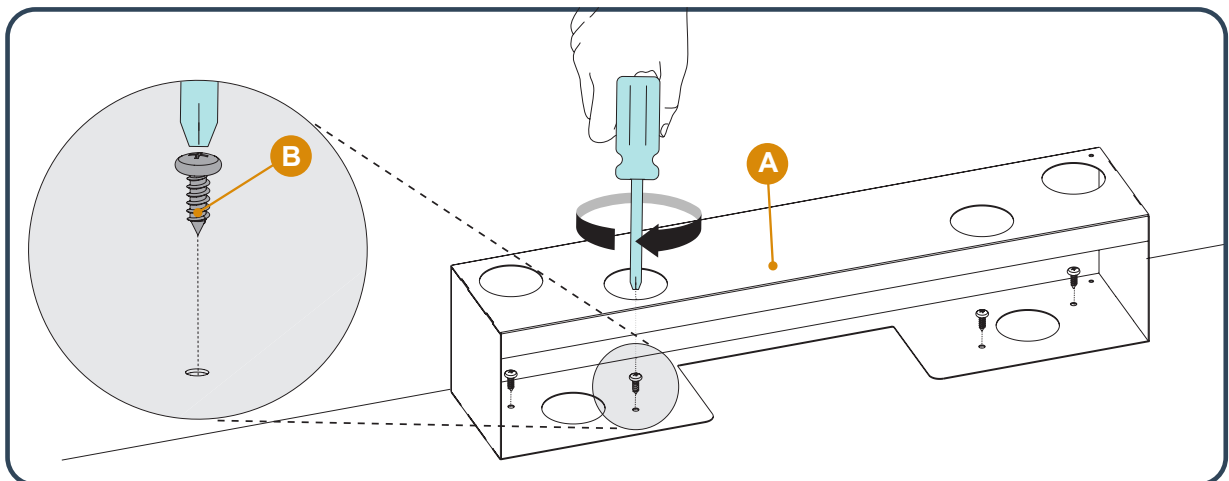
Option 1: Installation (No Monitor Arm / Monitor Arm Through Desk)

- 1 Lay desk top onto flat surface and position and mark out with a pencil where you want the **Housing Unit A** to be attached.
- 2 Once marked out use a 4mm drill bit and drill 4x holes 10mm maximum depth. (Use depth gauge if needed).



Securing the Housing Unit to the Desktop

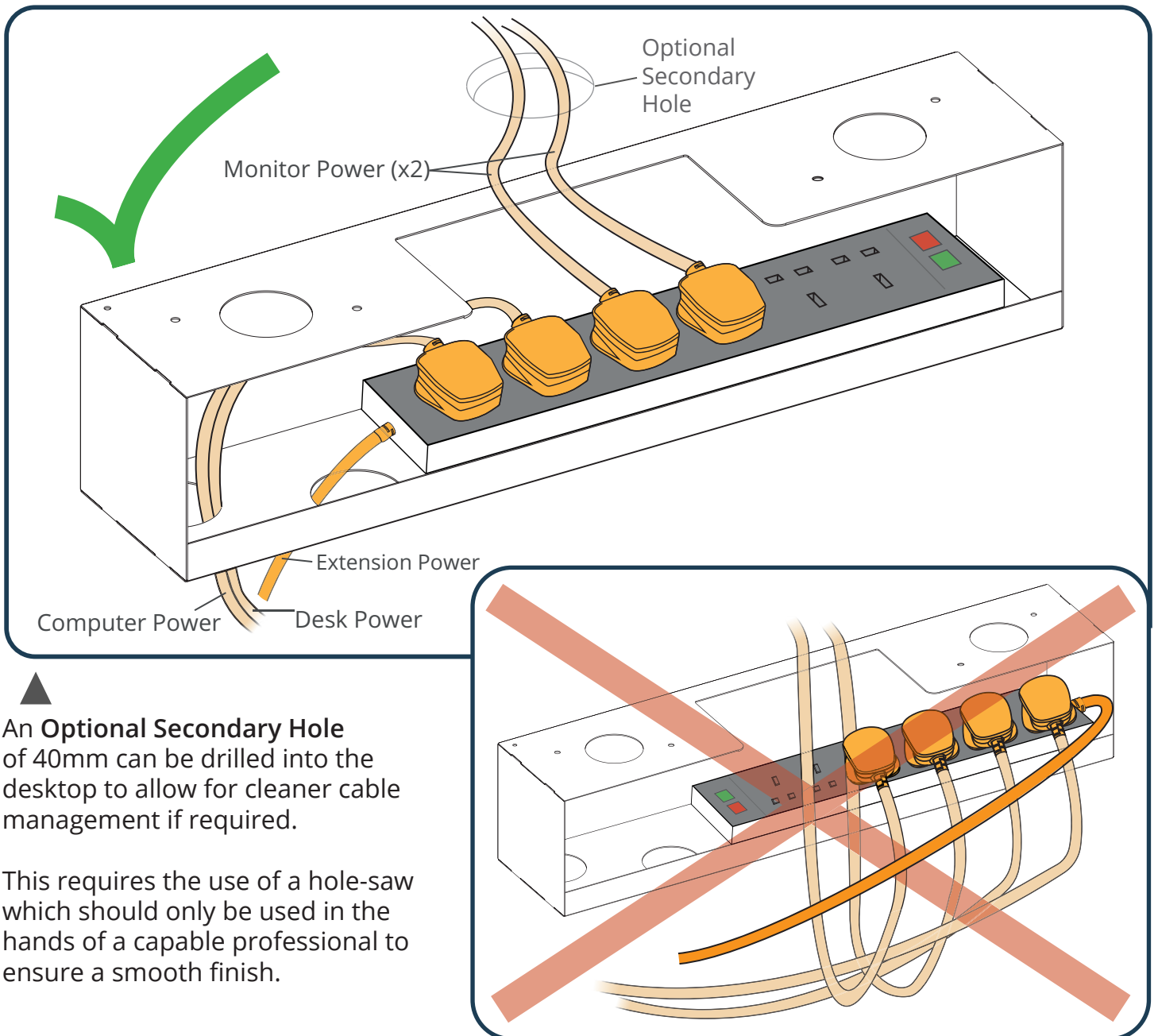
- 1 Line the **Housing Unit A** up with the holes made and using a Phillips screwdriver secure the tray with the 4x **Screws B** provided.
- 2 Once secured turn the desk over onto its feet (2 people maybe required for this part).



Option 1 Continued

When adding power strips please ensure the power is switched off and all plugs are fully inserted.

PRO TIP: to make it easier to fit power cables, we recommend fitting the Power Strip Extension (surge protected) into the Housing Unit so that the power plug cables face away from the open side and are contained within the unit as shown in the image below. This should prevent the cables from bending which could dislodge the plugs from the sockets when added.

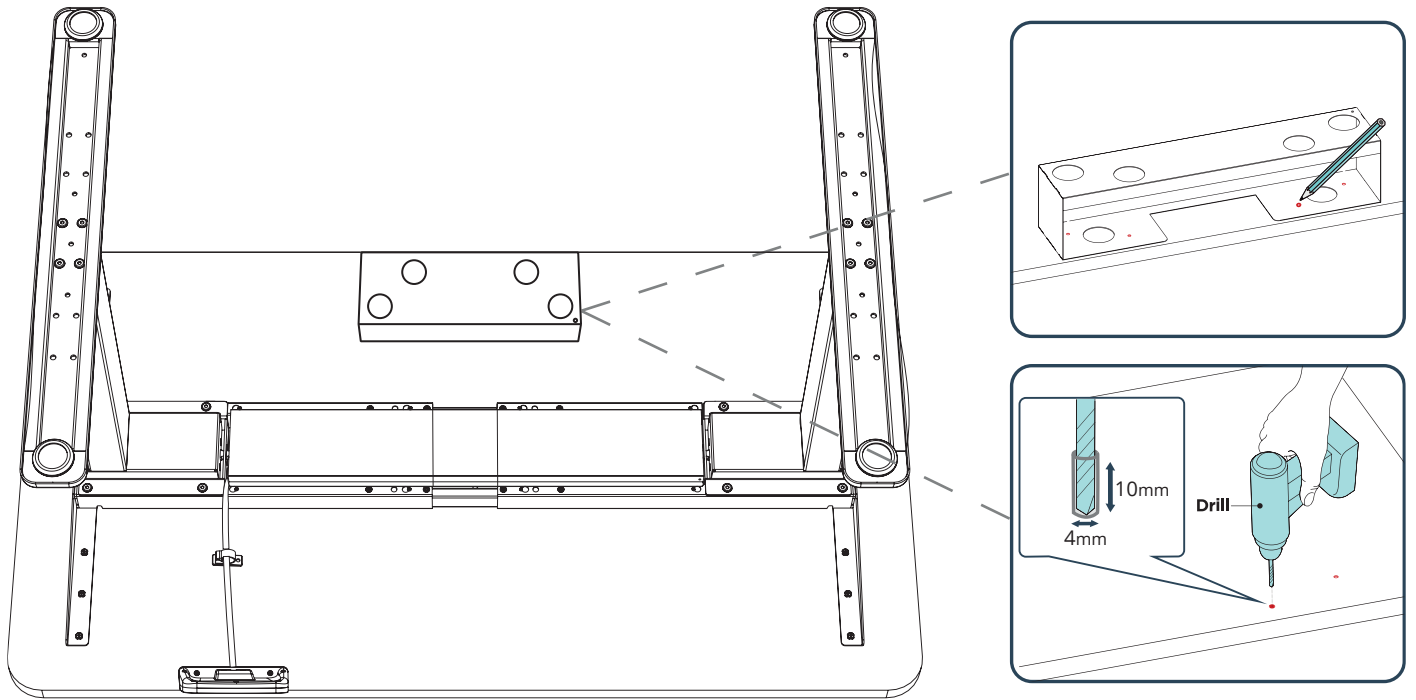


▲ An **Optional Secondary Hole** of 40mm can be drilled into the desktop to allow for cleaner cable management if required.

This requires the use of a hole-saw which should only be used in the hands of a capable professional to ensure a smooth finish.

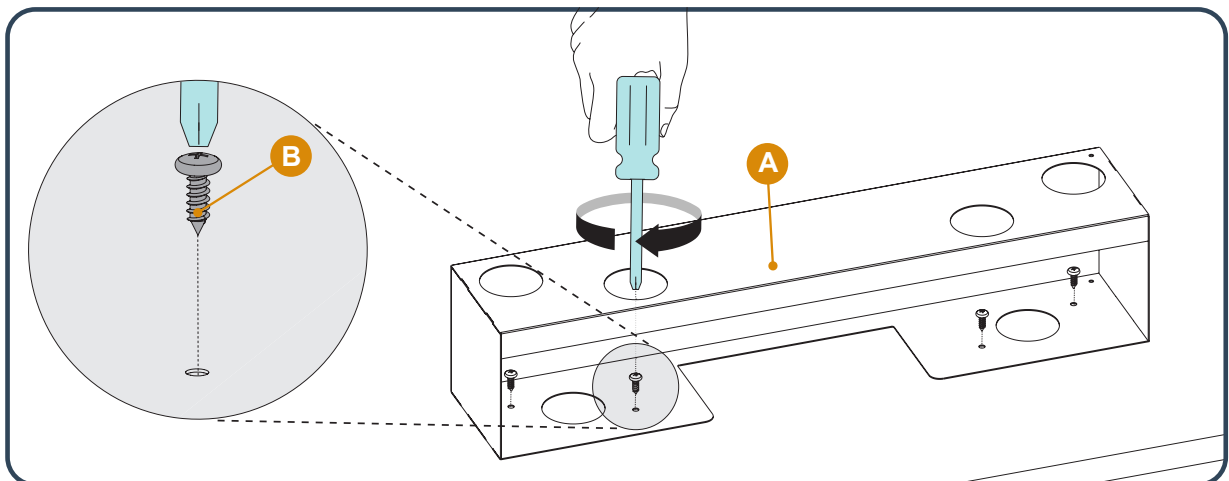
Option 2: Installation (Monitor Arm Clamp)

- 1 Lay desk top onto flat surface and position and mark out with a pencil where you want the **Housing Unit A** to be attached.
- 2 Once marked out use a 4mm drill bit and drill 4x holes at 10mm maximum depth. (Use depth gauge if needed).



Securing the Housing Unit to the Desktop

- 1 Line the **Housing Unit A** up with the holes made and using a Phillips screwdriver secure the tray with the 4x **Screws B** provided.
- 2 Once secured turn the desk over onto its feet (2 people maybe required for this part).



Option 2 Continued

When adding power strips please ensure the power is switched off and all plugs are fully inserted.

PRO TIP: to make it easier to fit power cables, we recommend fitting the Power Strip Extension (surge protected) into the Housing Unit so that the power plug cables face away from the open side and are contained within the unit as shown in the image below. This should prevent the cables from bending which could dislodge the plugs from the sockets when added.

