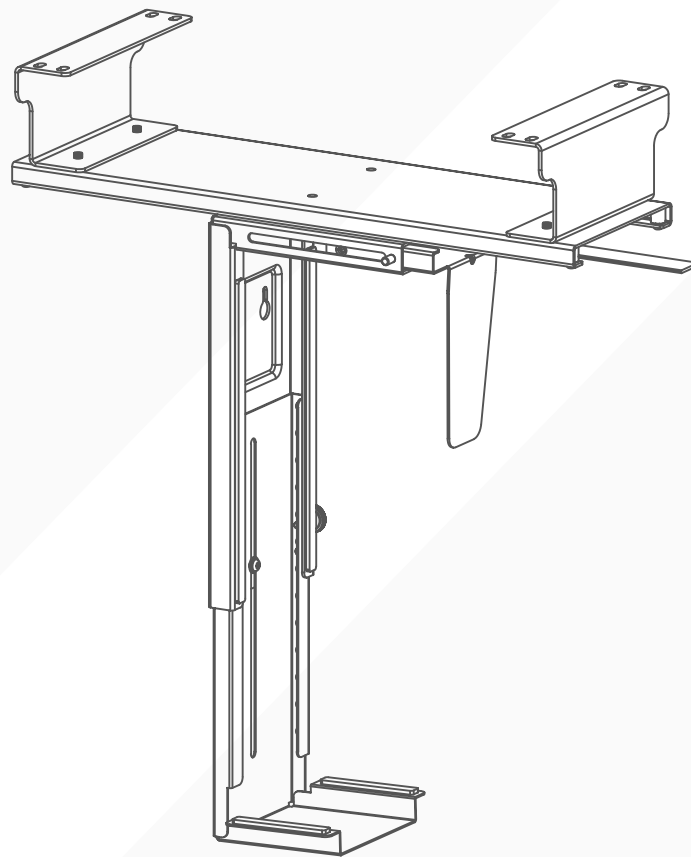


Standing Desk PC Tower Holder Installation Guide

TC01B



SAPIEN

mysapien.co.uk

Before you start

Please read the entire instruction manual before you start installation and assembly.

CAUTION: Do not exceed the suggested weight limit for safety reasons. **10KG (22Lbs) Rated**

- Tower Holder must be attached as specified in assembly instructions. Improper installation may result in damage or serious personal injury.
- Safety gear and specified tools must be used.
- Make sure that the supporting surface will safely support the combined weight of the equipment and all attached hardware and components.
- Use the mounting screws provided and **DO NOT OVER TIGHTEN**.
- This product contains small items that could be a choking hazard if swallowed. Keep these items away from children.
- This product is intended for indoor use only. Using this product outdoors could lead to product failure and personal injury.

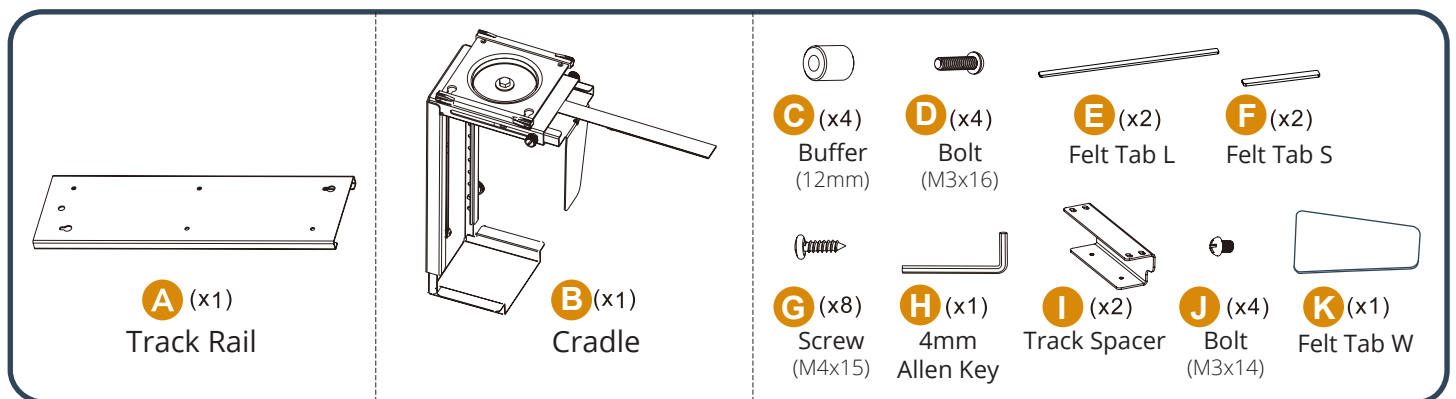
IMPORTANT: Check all parts are present according to the component checklist prior to installation. If any parts are missing or faulty, please contact us and we will be happy to help.

MAINTENANCE: Check that the bracket is secure and safe to use at regular intervals.

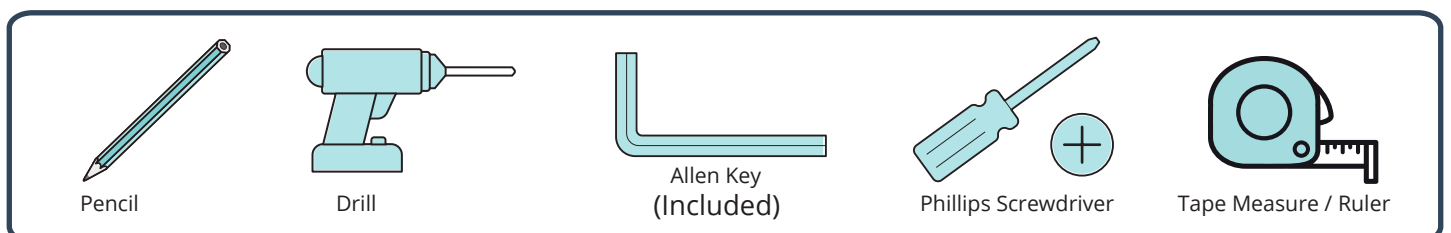
Checklist

IMPORTANT NOTICE *

The following steps require the desk to be **lay on its top** which will require **two people** to complete safely. Please ensure that this is done in a safe space clear of any obstructions to avoid injury to yourself and others.

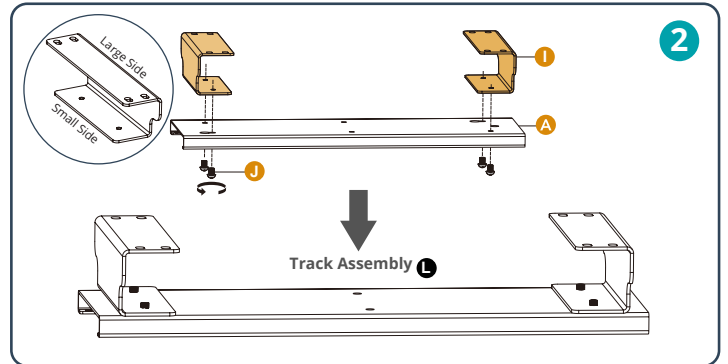
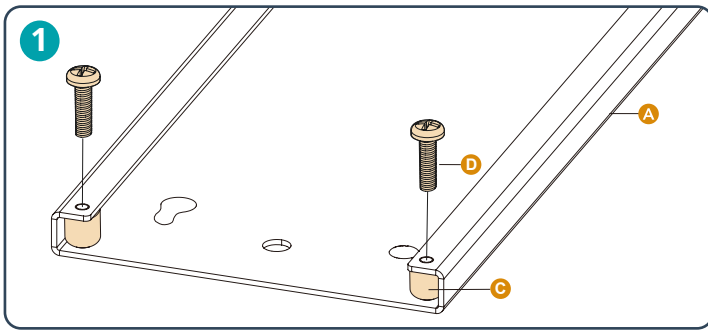


Tools Required



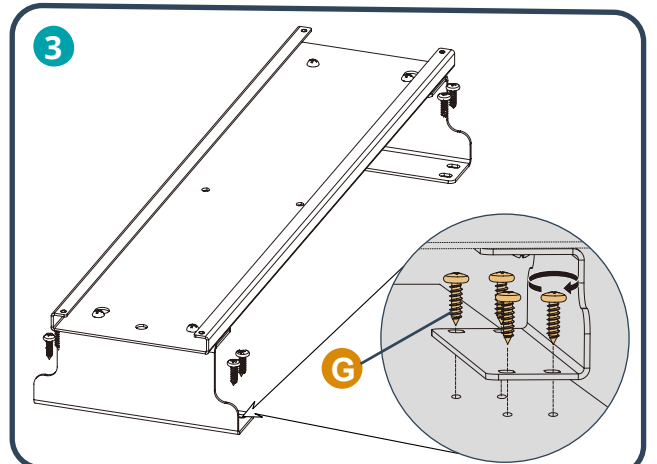
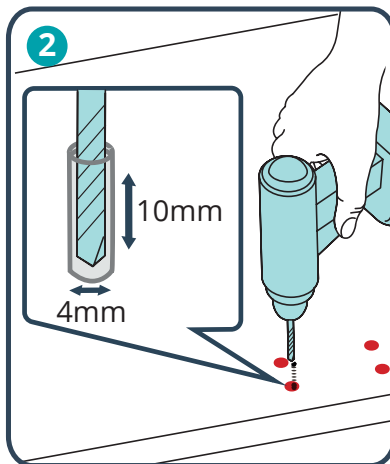
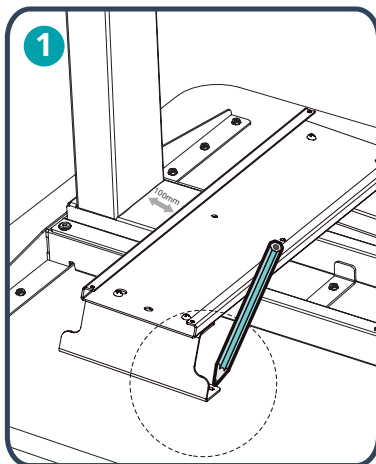
Track Rail Assembly

- 1 Lay out all the components needed for the installation. Take the **Track Rail A** and add **2x Buffers C** and **2x Bolts D** to the **Track Rail A** (as shown in the image below) at one end only. The left over buffers and bolts will be added in a later step (see page 5)
- 2 Take **Track Spacers I** and align the smaller side to the **Track Rail A**. Use **Bolts J** to secure and tighten into the pre threaded holes in **Track Rail A**.



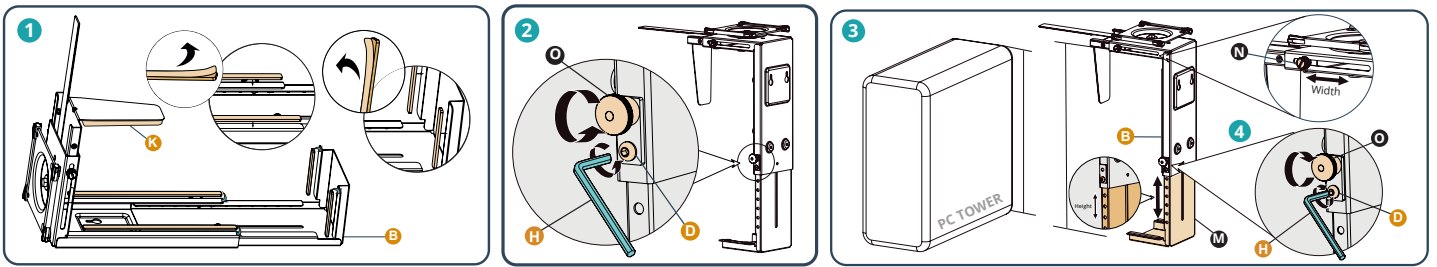
Securing Track Assembly to Desk Top

- 1 Place the **Track Assembly L** centrally between the front and rear edges of your desk. Ensure the surrounding area is clear of any obstructions, allowing for 100mm distance from the desk leg. Once positioned mark out the 8 holes through the holes in the Track Spacers on the **Track Assembly L**. Once positioned to your liking, mark out the 8 holes with your pencil as shown in the image below.
- 2 Remove the **Track Assembly L** and using a drill with a **4mm** drill bit, drill to a maximum depth of **10mm** (use a drill depth gauge if necessary).
- 3 Position the **Track Assembly L** over the drilled holes and secure in place with a screwdriver using **8x Screws G**.



Setting up

- 1 Apply **Felt Tabs E**, **F** & **K** by removing the self-adhesive back and attaching to the insides of the **Cradle B** as shown. It is important to add these as this will help prevent any sliding when you add the PC tower.
- 2 Fully remove the **Height Adjustment Knob O** by hand (turning anti-clockwise). Then wind out the **4mm Allen Screw D** anti-clockwise 2x full rotations, so that the height can be adjusted using the supplied **4mm Allen Key H** provided (DO NOT fully remove).
- 3 Fully extend the **Cradle Arm M** ready for PC tower installation. Add your PC tower to identify the width and height required for the **Cradle B** to hold your PC tower safely. To adjust the width of the **Cradle B** remove the **Width Adjustment Knobs N** located at the top of the **Cradle B** (front and rear). Adjust the width if needed and replace the **Width Adjustment Knobs N**.
- 4 Secure the PC tower by sliding the **Cradle Arm M** arm until it is pressed firmly against the PC tower and tighten the **Width Adjustment Knobs N**. Set the height and tighten **4mm Allen Screw D** with the **4mm Allen Key H** and then replace the **Height Adjustment Knob O**.



IMPORTANT NOTICE

The following steps require the desk to be turned back on to its feet which will require **two people** to complete safely. Please ensure that this is done in a safe space clear of any obstructions to avoid injury to yourself and others.

- 1 Once you know you are happy with your setup, tighten the **Width Adjustment Knobs N** and **Height Adjustment Knob O** to secure the **Cradle B** in place. In order for your PC tower to be secure, there should be very little wiggle room for the tower to move within the **Cradle B**.
- 2 Lift the PC tower and the **Cradle B** assembly on to the **Track Assembly L** rails before adding the remaining **2x Buffers C** and **2x Screws D** to the Track Assembly. This will prevent the PC tower being knocked by the Tower Holder accidentally.

